

Beam Detector

All-weather Photoelectric Beam Detector



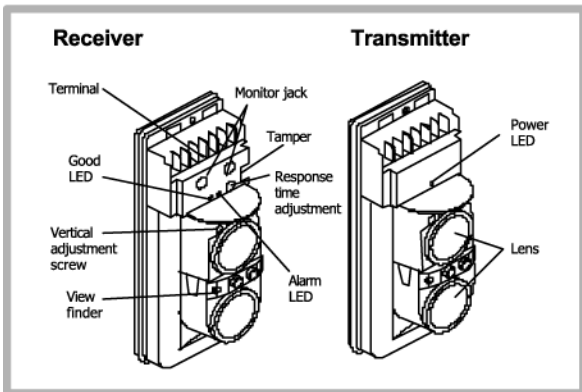
The GP PB30 and PB60 Photo Beam Detector delivers accurate and precise detection under the most demanding environmental conditions. With a newly developed Aspheric lens and a neoprene gasket to protect from harsh weather, the PB30/PB60 Photo Beam detector is the right choice for that tough perimeter security installation.

- **High reliability**
Synchronized twin beams reduce false alarms caused by flying birds and falling leaves.
- **External light protection**
Trouble-free operation, illumination is assured by an external light compensation circuit that was specially designed to effectively stop visible rays.
- **Easy beam alignment**
The special view finder allows for fast aiming and preliminary alignment. Also equipped with monitor jack to ensure proper fine tuning.
- **Wide angular adjustment**
Horizontally +/- 90°, vertically +/- 7°

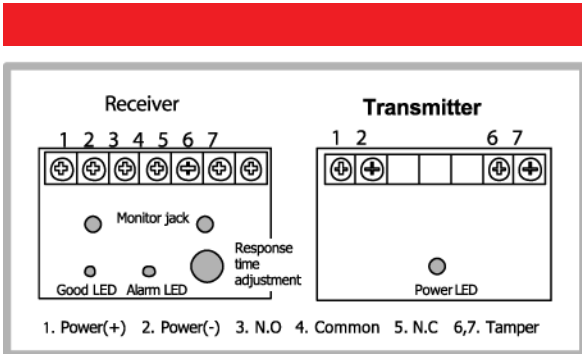
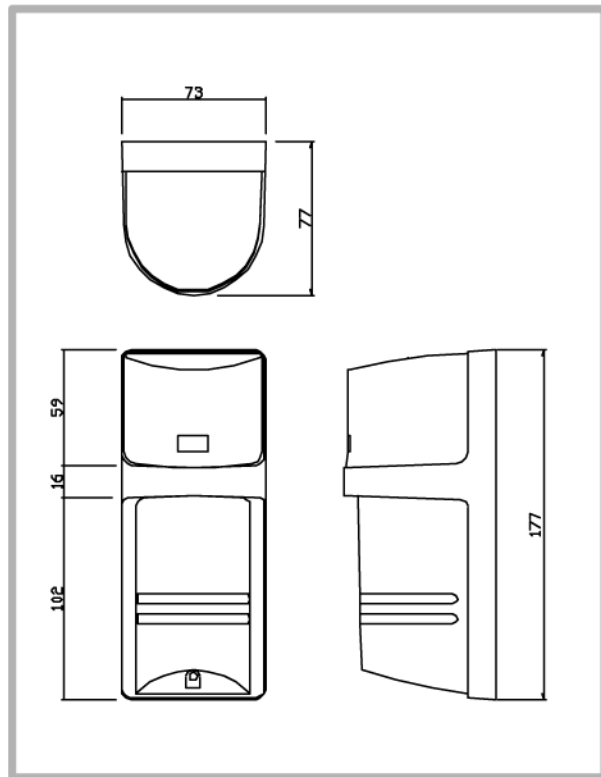
Technical Characteristics

MODEL	PB20	PB60
Protection range	30m	60m
Detection method	Twin synchronized pulsed beams	
Infrared beam	IR LED	
Response time	50 ~ 700mS	
Supply voltage	DC 10.8 ~ 28V(Non-polarity)	
Current	Receiver : 33mA, Transmitter : 27mA	
LED	Tx : Power(Green) Rx : Good(Green), Alarm(Red)	
Alarm output	Dry contact relay output 1C	
Tamper output	Dry contact 1b(Rx)	
Temperature	-20'c ~ +55'c	
Beam adjustment	Horizontal : 180', Vertical : 14'	
Mounting site	Indoor / Outdoor	
Material	Cover (PC resin), Base (ABS resin)	
Weight	Receiver : 275g, Transmitter : 265g	

Description



Dimensions



1601 N.W. 84th Avenue, Miami, Florida, 33126
 Tel: (305) 994-8186 • (305) 994-8167
 E-mail: sales@paradoxbrand.com